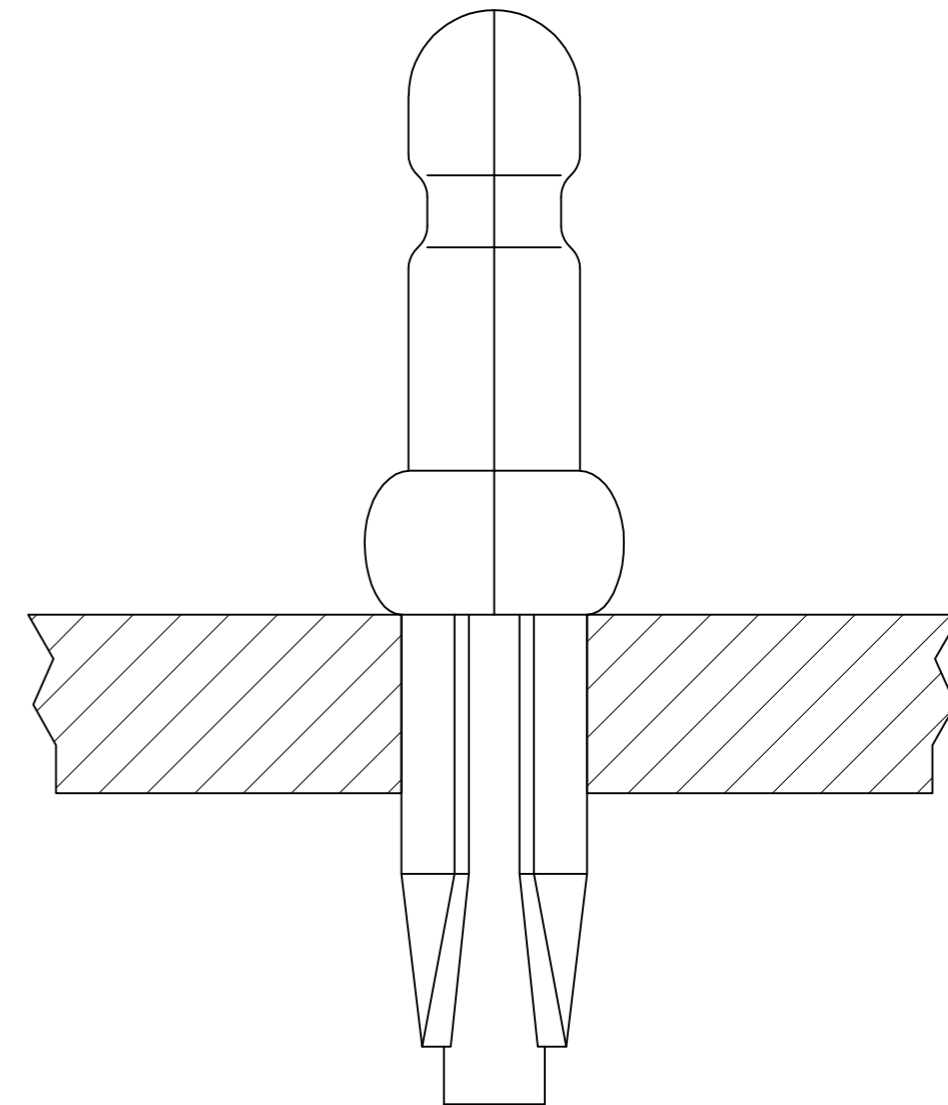
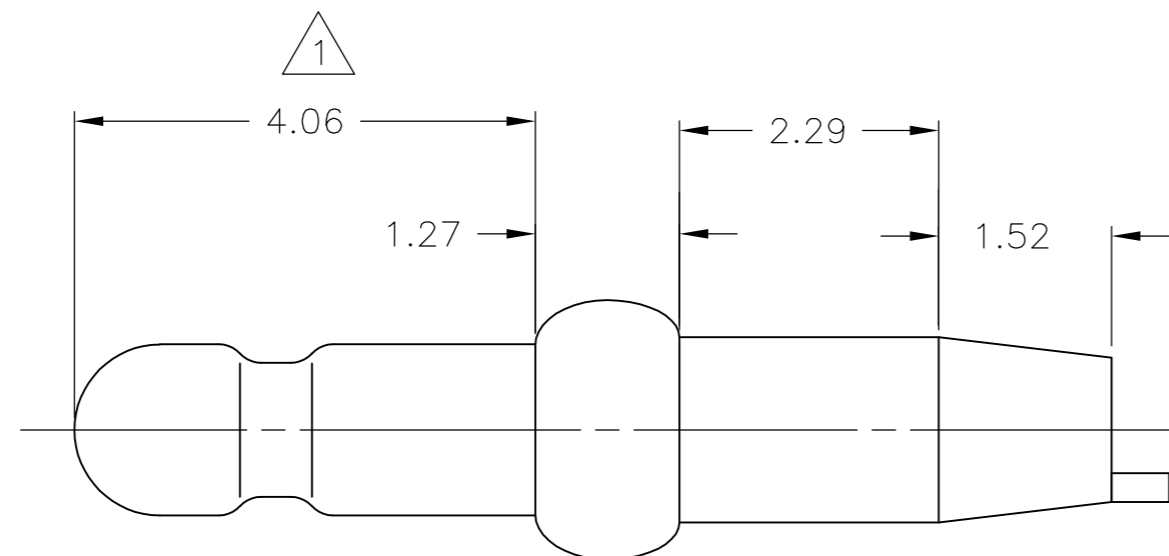
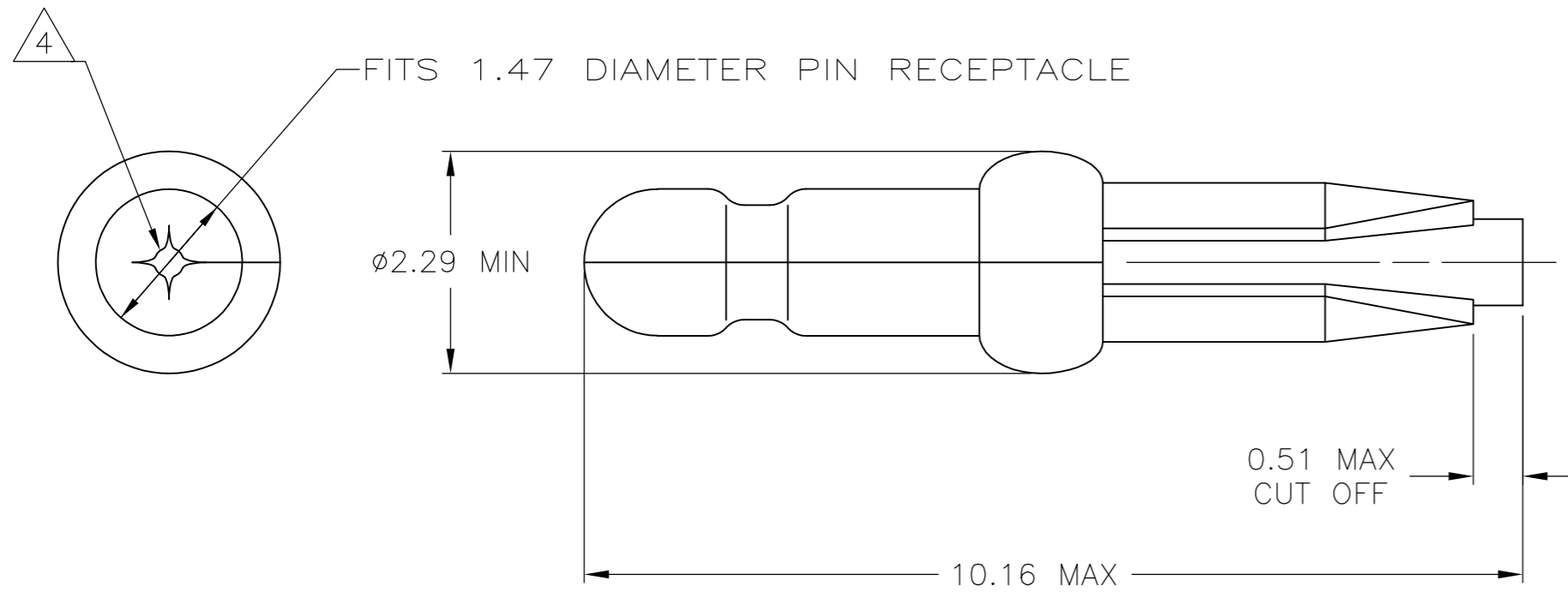


THIS DRAWING IS UNPUBLISHED. RELEASED FOR PUBLICATION  
 © COPYRIGHT BY TYCO ELECTRONICS CORPORATION. ALL INTERNATIONAL RIGHTS RESERVED.

LOC	DIST	REVISIONS			
P	LTR	DESCRIPTION	DATE	DWN	APVD
CM	52	AH1	REVISED PER ECO-08-022148	05SEP08	HMR FD

- 1 0.00076 MIN GOLD PLATING IN THIS AREA WITH 0.00381 MIN MATTE TIN LEAD ON THE REMAINDER, BOTH OVER 0.00127 MIN NICKEL UNDERPLATE.
- 2 FITS 1.47 - 1.57 DIAMETER HOLE IN A 1.57 OR 2.36 PRINTED CIRCUIT BOARD.
- 3 PARTS TO COMPLY WITH AMP SOLDERABILITY SPECIFICATION 109-11-3.
- 4 0.05 - 0.25 DIAMETER OPENING REQUIRED IN TIP OF PIN.
- 5 APPLICATOR FEED: 8.00 - 8.26
- 6 0.00076 MIN GOLD PLATING IN THIS AREA WITH 0.00381 MIN TIN ON THE REMAINDER, BOTH OVER 0.00127 MIN NICKEL UNDERPLATE.



6	3-60874-2
1	60874-2
PRE TIN	60874-1
FINISH	PART NUMBER

0.13	.005	1.52	.060	8.00	.315	-	-
0.05	.002	1.47	.058	4.06	.160	-	-
0.00381	.000150	1.27	.050	2.36	.093	-	-
0.00127	.000050	0.51	.020	2.29	.090	10.16	.400
0.00076	.000030	0.25	.010	1.57	.062	8.26	.325
MM	IN	MM	IN	MM	IN	MM	IN

CONVERSION TABLE

METRIC

THIS DRAWING IS A CONTROLLED DOCUMENT.		DWN	T. BECK	8-20-97	Tyco Electronics Corporation Harrisburg, PA 17105-3608		
DIMENSIONS: mm		CHK	R. SWING	8-20-97	NAME		
TOLERANCES UNLESS OTHERWISE SPECIFIED:		APVD	A. BEDDICK	9-10-97	PIN, .058 DIAMETER, PHOSPHOR BRONZE, PRESS FIT, LOOSE PIECE, P.C. CONTACT		
0 PLC ± -		PRODUCT SPEC	108-1025		SIZE	CAGE CODE	DRAWING NO
1 PLC ± -		APPLICATION SPEC	114-1008		A2	00779	C=60874
2 PLC ± 0.13		WEIGHT	-		SCALE	15:1	
3 PLC ± -		MATERIAL	0.25 PH BRZ		SHEET	1 of 1	
4 PLC ± -		FINISH	SEE TABLE		REV	AH1	
ANGLES ± ±		CUSTOMER DRAWING					